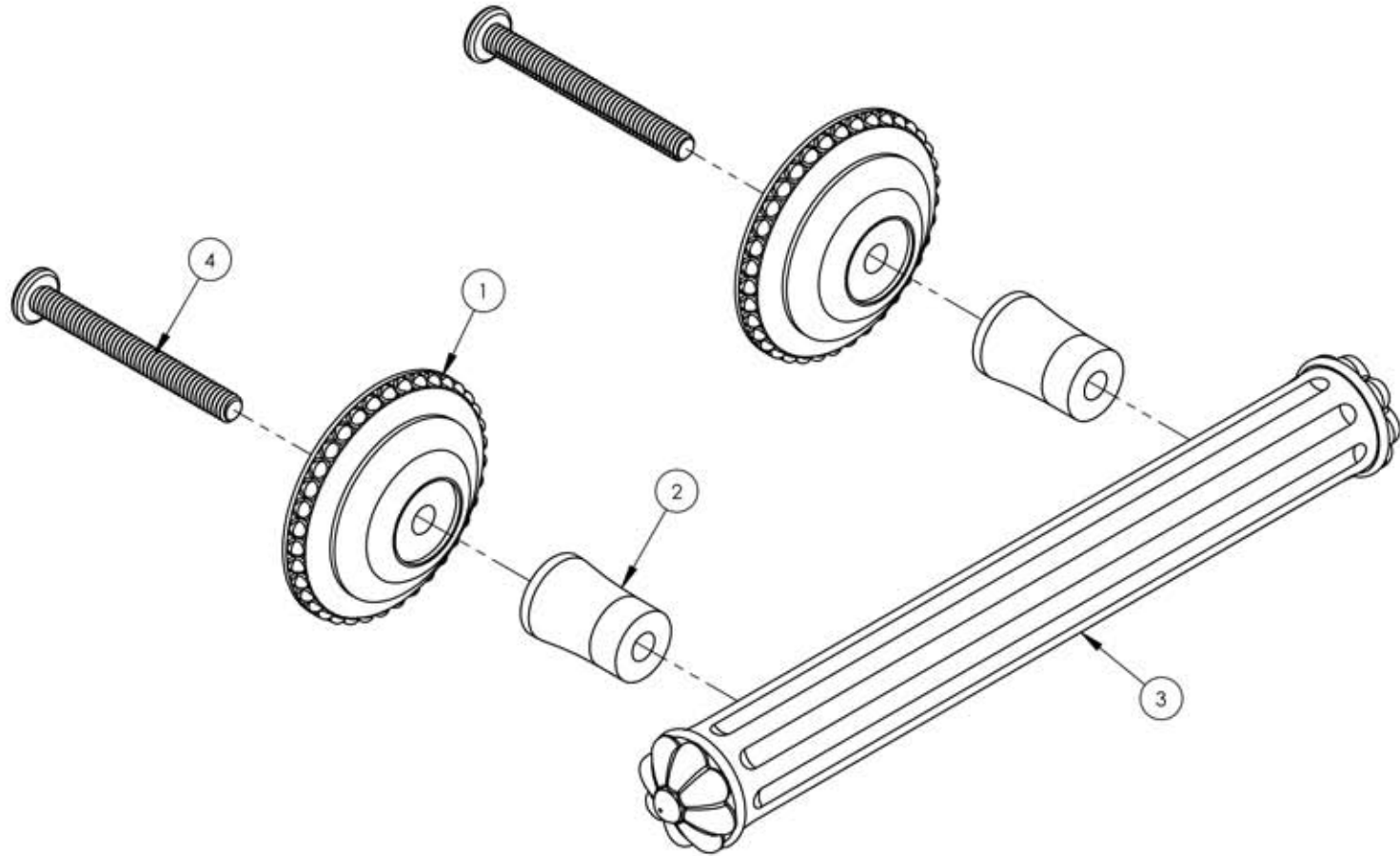


ITEM NO.	PART NUMBER	DESCRIPTION	QTY.
1	10452/00	ROSETTE, CABINET KNOB, MARVELLE	2
2	10454/00	POST TRANSITION, CABINET KNOB, MARVELLE	2
3	2-163/00	SUB ASSY. POST. CABINET PULL, MARVELLE	1
4	92094	SCREW, PAN HD 8-32 X 1.5'L	2



ALL	B	-ASSY. UPDATED WITH SUB ASSY'S	12/30/2015	GRE
ZONE	REV.	DESCRIPTION	DATE	APPROVED

REVISIONS

1261 LOGAN AVENUE
COSTA MESA, CALIFORNIA 92626
PHONE: 714.361.4800
FAX: 714.617.3120

PHYLTRICH®

Defining Luxury Since 1959

PROPRIETARY AND CONFIDENTIAL
THE INFORMATION CONTAINED IN THIS DRAWING IS THE SOLE PROPERTY OF RISS MANUFACTURING. ANY REPRODUCTION IN PART OR AS A WHOLE WITHOUT THE WRITTEN PERMISSION OF RISS MANUFACTURING IS PROHIBITED.

NEXT ASSY	USED ON	FRACTIONS ±1/64"	DECIMALS X.X: ±.1 X.XX: ±.01 X.XXX: ±.005	ANGULAR ±.5°
APPLICATION				
MATERIAL				
FINISH				
DO NOT SCALE DRAWING				
DRAWN	LLO	10/20/2015		
CHECKED	GRE			

CABINET KNOB, MARVELLE SERIES			
SIZE	ASM/PRT NO.	REV	
A	162-92/00	B	
SCALE: 1:1	WEIGHT: lbs.	SHEET 1 OF 2	

5

4

3

2

1